

# ESCHER

mixers



## Robotic Systems

120\_160\_240\_300\_400\_600 Kg

*Fully automatic mixing and bowl handling system.  
Modular installation with Cartesian movement and bowl stacking.*

*Sistema di impasto e movimentazione vasche completamente automatico.  
Impianto modulare con movimento Cartesiano e stoccaggio vasche verticale.*



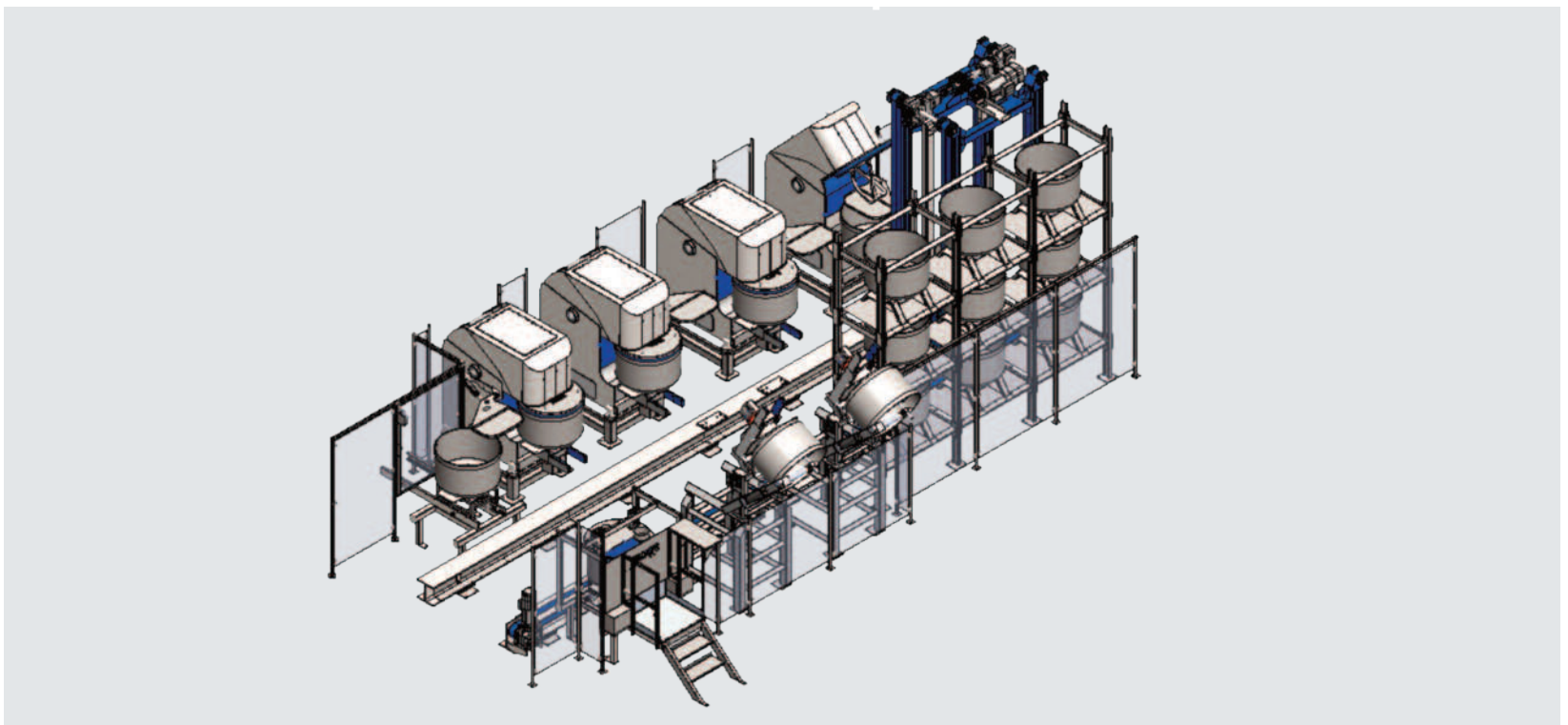
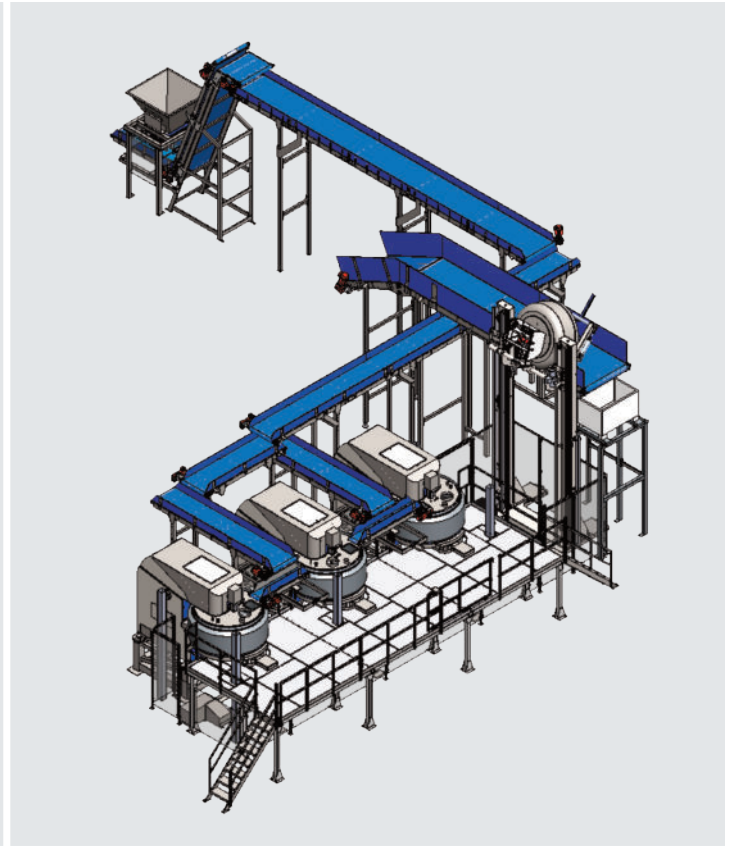
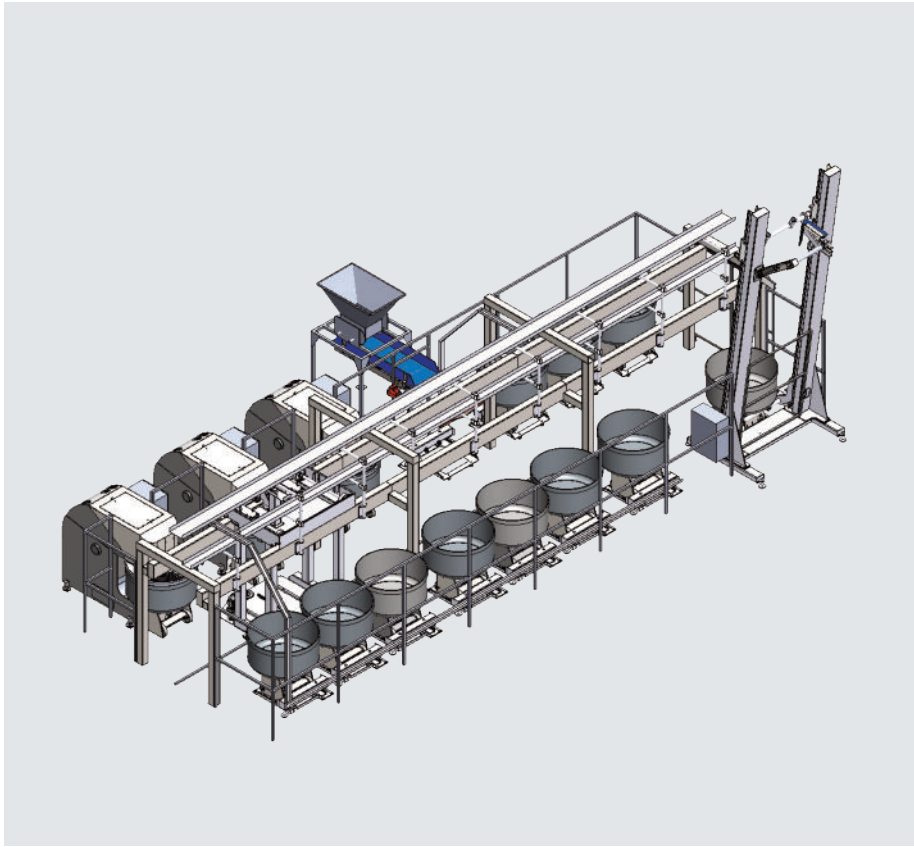
*Robotic mixing and bowl handling system  
Automatic and modular installation  
Linear and Cartesian movement with bowl stacking.*

*Sistema di impasto e movimentazione vasche robotico.  
Impianto automatico e modulare.  
Movimento lineare e Cartesiano con stoccaggio vasche in verticale.*



Bowl insertion phases \_ Fasi di inserimento vasca





Escher's continuous improvement may result in changes to machinery specifications without notice. Technical data are purely as an indication. Escher reserves the right to modify them without notice. ©2018 - www.imagination.it



**ESCHER MIXERS** srl  
36034 Malo · VI · Italy · Via Copernico, 62  
T +39 0445 576.692 · F +39 0445 577.280  
mail@eschermixers.com

[www.eschermixers.com](http://www.eschermixers.com)

**ESCHER**  
mixers