

# PRIMUS smart: The Premium Model ★★★

**Bread slicing has never been so hygienic, so quiet, so fast – on a small footprint: PRIMUS smart**

Would you like to benefit from the latest TREIF slicing technology but **you only have space for a gridset slicer**? Not to worry! Slicing at a premium level is possible even on a small footprint: with PRIMUS smart. Enjoy the **unique advantages of the new Premium-Hygiene-Design**. Slicing bread has never been this hygienic.

Excellent slicing results for all sorts of bread (even fresh from the oven) in proven TREIF quality, **always a soft sound** and a tremendous slicing speed including the choice between **two slicing speeds** – PRIMUS smart offers that and more.



With proven TREIF quality, PRIMUS smart slices all sorts of bread (infeed length: **350 mm / 13 4/5"**), from soft sandwich bread to double-baked bread with a hard crust (even fresh from the oven) – consistently without blade lubrication.



The faster slicing speed means you can be back with your customers sooner. PRIMUS smart features two speeds as a standard (130 or 220 slices/minute). Simply select the desired speed with the press of a button.



If required, PRIMUS smart cuts the bread in half or slices only half of the loaf. The automatic slice holder supports the slices during the cutting process, facilitating removal of the sliced bread.



PRIMUS smart even produces clean slices on marble cake with chocolate glaze. Of course the machine is also suitable for madeira cake, stollen and raisin loaf.



**Einzigartig ist die offene Bauweise.**

Einfach die Maschinentür öffnen, den Entnahme-Schacht aushängen, und alles lässt sich rasch reinigen. Hier wird Hygiene ganz neu definiert.

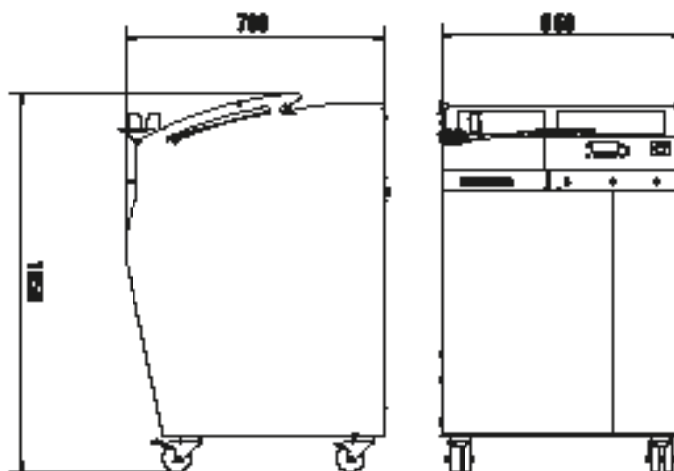


## Premium quality – from slicing to cleaning

The **Premium-Hygiene-Design** features a unique open design. Even the removal chute can be detached for cleaning. Contaminations in the technical section (e.g. from flour dust) are prevented by the complete separation from the cutting section.

### Technical data:

|  |  |
|--|--|
| Two slicing speeds can be selected with a button | Standard   |
| Max. slices/minute                               | 130/ 220 (depending on the slicing speed)              |
| Cross section of product (mm/inch)               | 330 x 150; 13" x 6"                                    |
| Infeed length (mm/inch)                          | 350; 13 4/5"   |
| Slice thickness (mm/inch)                        | 4-24; 1/5"-1" (adjustable in 0.5 mm/ 1/50" increments) |
| <b>Housing dimensions (mm/inch)</b>              |  |
| Width/Depth/Height                               | 650/700/1,050;<br>25 3/5" / 27 3/5" / 41 3/10"         |
| Operating voltage                                | 230 V  |
| Pre-fuse in the supply line                      | 16 A   |
| Connecting load (kW)                             | 0.9  |
| Weight (kg/lb)                                   | 195; 430   |



All measurements in mm.

### The benefits at a glance:

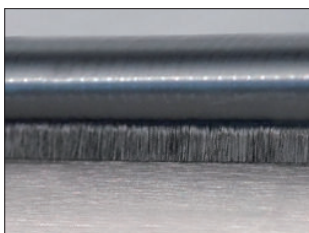
- **Premium-Hygiene-Design:** open design, detachable removal chute for cleaning, numerous slots for quick sweeping out of crumbs, complete separation of cutting and technical sections
- **Smooth sound:** sound-optimised slicing/ optimisation of the proven system of sound-absorbing brushes (TREIF patent)
- **Two slicing speeds (standard):** up to 220 slices/minute, selectable with a button (standard)
- **Universal bread slicing machine:** Slices all sorts of bread (oven fresh), no blade lubrication
- **One-button operating system** for all functions (setting slice thickness, loaf halving, number of slices and slicing speed)
- **Long-term use of circular blade** thanks to special grinding finish; high quality standard due to own blade manufacturing (*nanoblade*); easy cleaning of the blade without dismantling
- **Simpler handling** thanks to the automatic slice holder
- **Machine delivery includes:** blade protection, a pair of cut-resistant gloves and a blade-changing tool
- Storage for clips for sealing bread bags (optional)



Of course, the blade with a unique tothing and a special grinding finish is made by TREIF. TREIF is the only manufacturer of bread slicers that manufactures the blades itself.



The blade protection ensures safe cleaning of the machine. The blade protection is included in the delivery.



The system of sound-absorbing brushes (a TREIF patent) has proven successful. It was optimised and thoroughly revised for PRIMUS smart. The result: an even softer sound, pleasantly quiet.

**nanoblade**<sup>®</sup>  
TREIF blade manufacturing

#### HEADQUARTERS:

Marel TREIF GmbH  
Toni-Reifenhäuser-Str. 1  
D-57641 Oberföhr  
Tel. +49 2685 944 0  
Fax +49 2685 1025  
E-Mail: info@treif.com

#### LOCATIONS:

TREIF USA Inc.  
50 Waterview Drive, Suite 130  
USA Shelton CT 06484  
Tel. +1 203 929 9930  
Fax +1 203 929 9949  
E-Mail: treifusa@treif.com

TREIF U.K. Ltd.  
Genesis House, Poole Hall Road,  
Poole Hall Industrial Estate  
Ellesmere Port, GB-Cheshire CH66 1ST  
Tel.: +44 (0) 151 3506100  
Fax: +44 (0) 151 3506101  
E-Mail: treifuk@treif.com

TREIF Italia S.r.l.  
Via Sant'Agnese 43-45  
40132 Bologna, Italia  
Tel.: +39 051 728138  
E-Mail: info.it@treif.com

TREIF S.A.R.L.  
22, rue des Tulleries  
F - 67460 Souffelweyersheim  
Tel.: +33 3 88184018  
Fax: +33 3 88184019  
E-Mail: info-france@treif.com

TREIF in Belgium  
Villalaan 21  
B-9320 Raist  
Tel.: +32 53 770813  
Fax: +32 53 789666  
E-Mail: jo.luyckaert@treif.com

TREIF Sp. z o.o.  
ul. Jana Kochanowskiego 49  
01-864 Warszawa  
tel: + 48 506 412 522  
service: + 48 506 413 197  
E-Mail: infopl@treif.com