

ALFA425H-2

Family	Professional ovens
Subfamily	Convection oven 4 trays 600x400 mm o GN1/1
Oven type	Convection oven with humidification
Oven control	Manual
Trays capacity	4 trays EN 600x400 mm or GN1/1 (excluding flat grids and trays)
Power supply	400 V 3N~ / 10 A / 6,9 kW / 50 Hz
Other electrical connection	230 V~ / 30 A / 6.9 kW / 50 Hz
Steam generation	Direct
Program storage with application	Not available
Maximum depth with open door	1511 mm
Adjustable feet	Yes
Net weight	60,000 kg



Target

Solutions	Coffee shops/Wine bars; Hotels; Restaurants/Pubs; Bakery/Pastry making; Frozen bakery industry; Food retail; QSR	Suggested for	Bakery
------------------	--	----------------------	--------

Aesthetics

Colour	Stainless steel	Front panel Logo	Yes Smeg printed
Door with stainless steel stripes	Yes		

Controls

Timer setting range	1-60 minutes + endless
----------------------------	------------------------

Programme / Functions

Backing functions



Convection



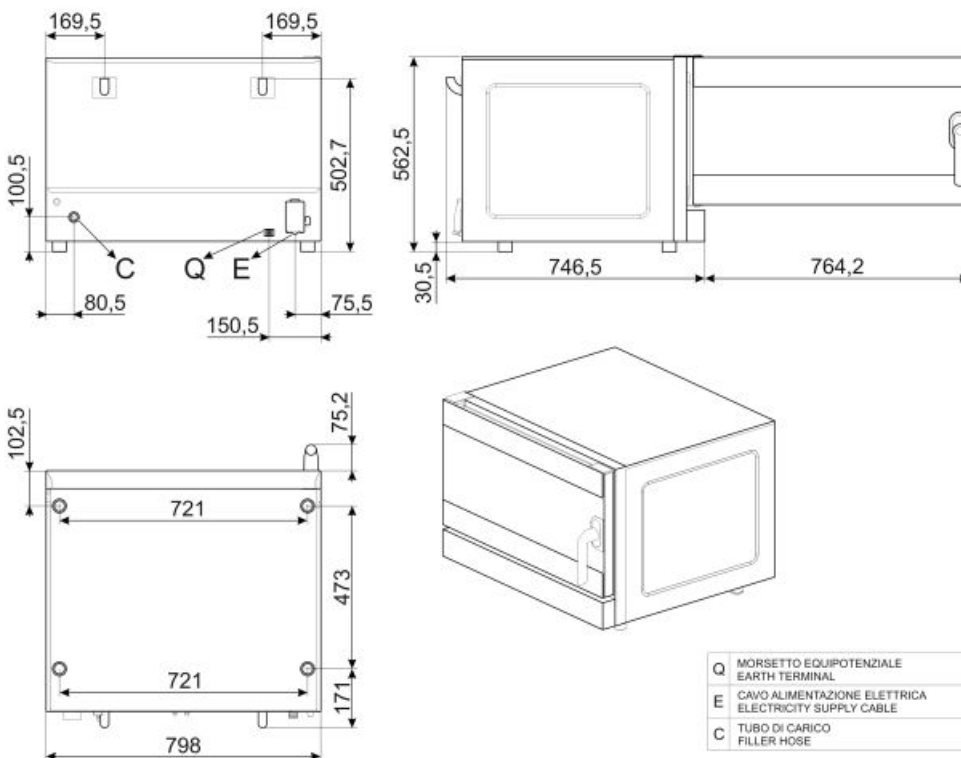
Convection with humidification

Options

Combinable hood	K4610X
------------------------	--------

Construction

Oven materials	Stainless steel / glass / plastics	Humidification levels	Manual
Cavity dimensions (wxdxh)	672x437x340 mm	Exhaust position	Back
Gross volume	115,6 lt	Components cooling system	Yes
Net volume	104,2 lt	Timer type	Electric
Internal net volume	75 lt	Temperature range	50-270°C
Cavity material	Stainless steel	End cooking signal	Yes
Shelves number	4	Orange light indicator t° achievement	Yes
Tray frame support	Chromed wire	Green light indicator time achievement	Yes
Shelves distance	77 mm	Safety switch with open door	Yes
Door construction	Double glass	Manual reset safety thermostat	Yes
Door opening	Lateral - left hinge	Removable deflector	Yes
Handle type	Rotating	Lighting	2 LED lamps
Glass	Openable with hinge	Light power	40 W
Fan type and number	2 contrarotating with timed direction reversal	Water load pipe	Yes
Fan motor power	Progressive %	Power cable length	170 cm
Engine rpm	Single speed	Back panel	Galvanized
Motor rpm in standard speed	2850 rpm	IPX protection	IPX3



Not included accessories



3805
Flat chrome-plated wire grid (4pcs)



3927
Air flow reducer kit for ovens
ALFA410, 420, 625, 1035



3743
Flat aluminium tray (4pcs)

RGN11-420-2
Support kit for grids or flat trays
GN1/1 suitable for ALFA420/425
models

SVRPP625
Connector kit for two stacked ALFA625
or ALFA625+ALFA420/425 models and
hood



SVRPP420-625
Connector kit for two stacked
ALFA420+420 or ALFA420+625
models and hood



3751
Flat perforated aluminium tray (4pcs)



3810
Waved grid for baguettes (4pcs)

SVRPP420
Conjunction kit between two stacked
ALFA420/425 models and hood

Symbols glossary (TT)



Fan forced heating



Fan forced heating with humidity
injection