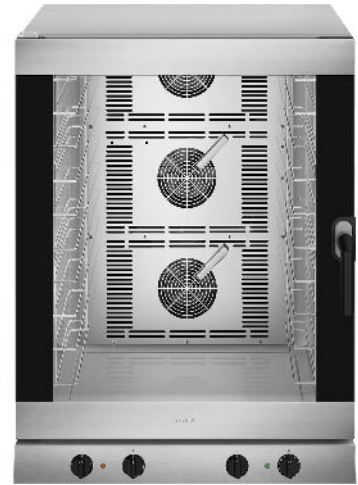


ALFA1035H-2

Family	Professional ovens
Subfamily	Convection oven 4 trays 600x400 mm o GN1/1
Oven type	Convection oven with humidification
Oven control	Manual
Trays capacity	10 trays GN1/1 or 10 EN 600x400 mm (excluding flat grids and trays)
Power supply	400 V 3N~ / 23A / 16 kW / 50-60 Hz
Steam generation	Direct
Program storage with application	Not available
Width	798 mm
Depth	772 mm
Height	1100 mm
Maximum depth with open door	1536 mm
Adjustable feet	Yes
Net weight	102.000 kg



Target

Solutions	Bakery/Pastry making; Frozen bakery industry; Food retail	Suggested for	Bakery
------------------	---	----------------------	--------

Aesthetics

Colour	Stainless steel	Front panel	Yes
Door with stainless steel stripes	Yes	Logo	Smeg printed

Controls

Timer setting range	1-60 minutes + endless	Chimney regulation	Manual
----------------------------	------------------------	---------------------------	--------

Programme / Functions

Backing functions



Convection



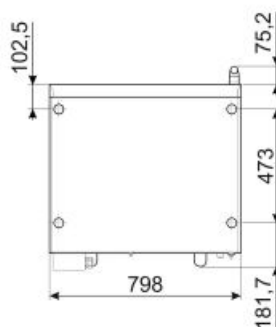
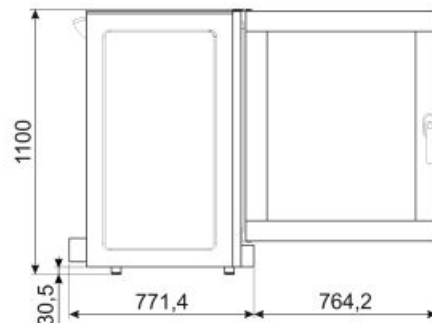
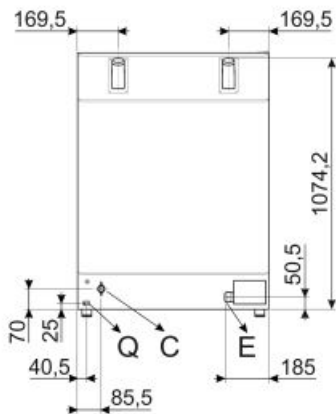
Convection with humidification

Options

Right hand hinge	ALFA1035HR-2	Combinable hood	K4610X
Right hand hinge	Yes		

Construction

Oven materials	Stainless steel / glass / plastics	Water injection on each fan	Yes
Cavity dimensions (wxdxh)	672x437x854 mm	Humidification levels	Manual
Gross volume	289,8 lt	Exhaust position	Back
Net volume	258,9 lt	Timer type	Electric
Internal net volume	199,1 lt	Temperature range	50-270°C
Cavity material	Stainless steel	End cooking signal	Yes
Shelves number	10	Orange light indicator t° achievement	Yes
Tray frame support	Chromed wire	Green light indicator time achievement	Yes
Shelves distance	77 mm	Safety switch with open door	Yes
Door construction	Double glass	Manual reset safety thermostat	Yes
Door opening	Lateral - left hinge	Removable deflector	Yes
Handle type	Rotating	Lighting	3 Halogen lamps
Glass	Openable with hinge	Light power	40 W
Fan type and number	3 contrarotating with timed direction reversal	Water load pipe	Yes
Fan motor power	Progressive %	Power cable length	170 cm
Engine rpm	Single speed	Back panel	Galvanized
Motor rpm in standard speed	2850 rpm	IPX protection	IPX3



Q	MORSETTO EQUIPOTENZIALE EARTH TERMINAL
E	CAVO ALIMENTAZIONE ELETTRICA ELECTRICITY SUPPLY CABLE
C	TUBO DI CARICO FILLER HOSE

Not included accessories



3805
Flat chrome-plated wire grid (4pcs)



3927
Air flow reducer kit for ovens
ALFA410, 420, 625, 1035



3743
Flat aluminium tray (4pcs)



3751
Flat perforated aluminium tray (4pcs)



3810
Waved grid for baguettes (4pcs)

RGN11-1035-2
Support kit for grids or flat trays
GN1/1 suitable for ALFA1035 models

Alternative products



ALFA1035HR-2

Symbols glossary (TT)



Fan forced heating



Fan forced heating with humidity
injection