



TECHNICAL SPECIFICATIONS

Racks/hour (theoretical)	30/15/10/7.5/6
Cycle time *1	120/240/360/480/600
Power supply	415V, 3Ø+N 50Hz
Wash pump	2kW
Booster heater	6kW
Wash tank heater	3kW
Total power	8kW
Total current	3 x 10Amp
Wash tank capacity	50ltrs
Booster heater capacity	15ltrs
Water consumption (per cycle)	4ltrs
Min/max water pressure *2	200/600kPa
Min/max water temp *3	50/65°C
Rack size	550 x 665mm
Useful height	805mm
Max dish height	820mm
Weight (empty)	132kg
Weight (shipping)	150kg
Dimensions (shipping)	73Lx85Wx198Hcm
Drain pump	Optional (min 3ltr/sec)
Water connection	R3/4" hose
Required hot water supply	120 ltr/hr
Drain hose diameter	30mm

*1 All Machines fitted with thermostop which may effect cycle time

*2 Optional booster pump is available if the water pressure is below 200kPa; reducer required if over 600kPa

*3 Minimum incoming water temperature without loss of performance; units can operate with cold water at reduced performance. (Optional 8kW cold water booster heater)

Machine must be connected according to local regulations.

STANDARD FEATURES

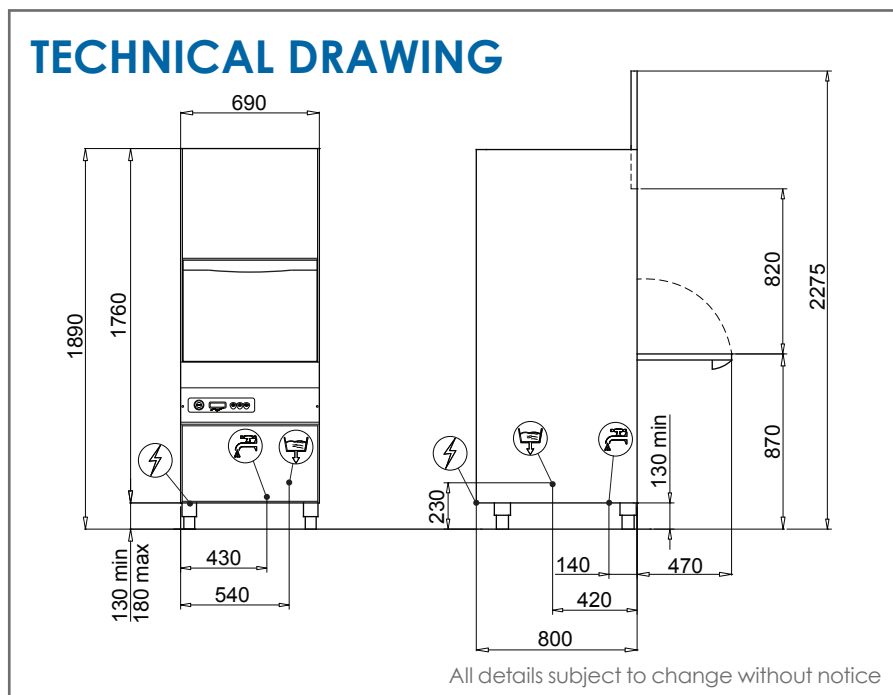
- Double skinned construction
- Deep-formed tank
- Independant stainless steel wash & rinse arms
- Double tank filter with debris collection system & pump filter
- Standard rinse pump
- Electronic controls
- Four washing cycles
- Energy saving
- Thermostop to guarantee the rinse temperature to HACCP requirements
- Multichromatic start key



With a foot print of 690 x 800mm, the LP1-S8 Plus is Rhima's most popular pot and utensil washer. With a chamber height of 810mm the machine is perfectly suited for most small to medium sized operations.

The versatility of the LP1-S8 Plus is endless. Fully programmable with CIP. The internal corners of the double skinned tank are rounded for easy cleaning.

TECHNICAL DRAWING



Call Rhima Australia
today on **1300 347 944**

