

HTY505DAUS

HOOD-TYPE PROFESSIONAL DISHWASHER
500x500 mm basket



SMEG ECOLINE PROFESSIONAL DISHWASHERS

Guaranteed wash performance, every time.

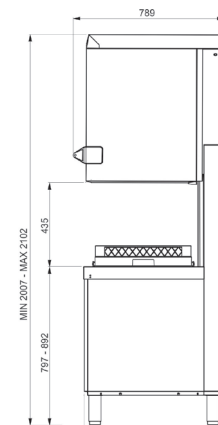
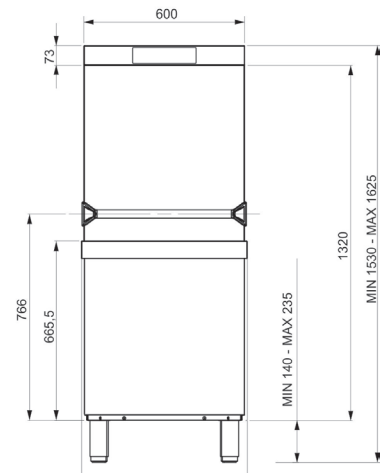
In commercial dishwashers, the rinse is the most important part of the wash cycle, as it is the only one performed with clean water. This is the reason why, at Smeg, we believe all commercial dishwashers must have **a rinse pump on board**, the only way to guarantee that optimal and constant pressure and temperature are maintained throughout the rinse cycle.

We believe in our quality.

All dishwashers are manufactured in our state of the art factory in Italy, where we monitor all phases of design, engineering and production. We believe in our quality and this is the reason why we are washer range.

PRODUCT FEATURES

- Construction in AISI 304 stainless steel
- Moulded rack guides
- **HTR (High Temperature Rinse) system with atmospheric boiler and rinse pump**
- 2.5 litres water rinse cycle
- Approximately 15% water exchange every cycle
- Drain pump with triple stage dynamic filtration system
- Door opening height: 440mm
- Electronic controls with 3 wash programs
- Shortest wash program 90 seconds
- Soft start wash pump
- Automatic self-cleaning cycle
- Thermostop system to ensure correct rinse temperature
- Adjustable peristaltic pumps for detergent and rinse-aid injection
- Self-diagnostic system with error messages
- 4 x 150mm legs (included)



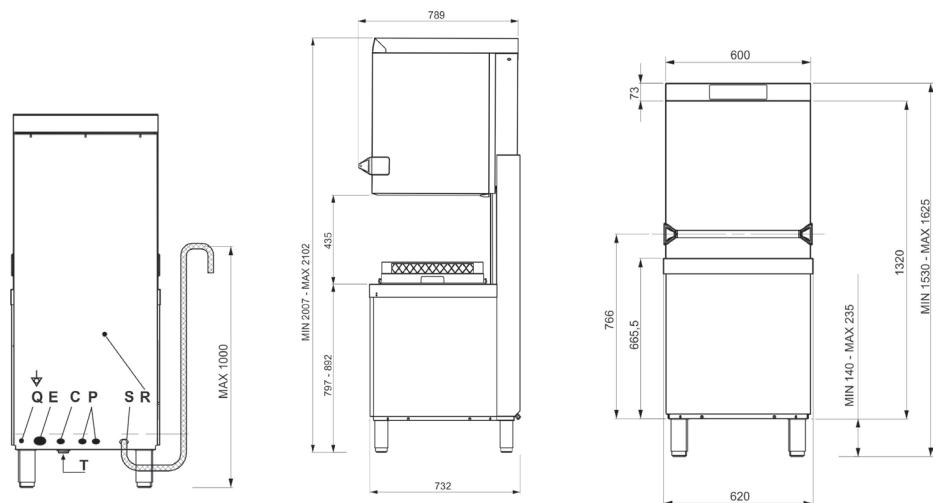
***24 MONTHS PARTS AND 12 MONTHS LABOUR WARRANTY**

HTY505DAUS

HOOD-TYPE PROFESSIONAL DISHWASHER
500x500 mm basket

TECHNICAL SPECIFICATIONS

Dimensions (mm)	620x736x1530 (2102)	Minimum supply pressure (bar)	2.5
Basket (mm)	500x500	Drain pump	Yes
Door clearance (mm)	440	Rinse aid pump	Peristaltic
Type of interface	electronic	Detergent pump	Peristaltic
Door/hood structure	double skinned insulated	Programme 1 (sec)	90*
Supplied water temperature (°C)	from cold to 60°	Programme 2 (sec)	150*
Tank volume (litres)	17	Programme 3 (sec)	240*
Tank resistance (W)	2,200	Special programmes	Total renewal of the water inside the tank Extra rinse Self-cleaning
Filtering system	Tank filter + selective filter	Thermostop	Yes
Boiler volume (litres)	8	Total power (W)	6,700 - 9,700
Boiler heating element (W)	6,000 - 9,000	Electrical connection	Single Phase (6,700W) Three Phase (6,700 - 9,700 W)
Wash pump (W)	700	Basket number	
Tank temperature (°C)	60°	dishes	1 x PB50D01
Rinse pump	Yes	universal / glasses	2 x PB50G01
Rinse temperature (°C)	85°	cutlery	1 x PHOOS01
Adjustable temperatures	Yes		
Water consumption (litres/cycle)	2.5		



CONNECTION WIRING DIAGRAM KEY

R	Rear lower panel	P	Peristaltic doser tubes
C	Water supply tubing	E	Electrical power cable
S	Water drain tubing	F	External doser power supply cable input
Q	Equipotential terminal		



UNI EN ISO 9001
9130-Smeg

UNI EN ISO 14001
9191-SME2

DHSAS 18001
9192-SME3