

VOLUMETRIC AUTOMATIC DIVIDER

Model SOFTY

USE

Division and automatic dough weighing for bread and baguettes (volumetric system)

CAPACITY

Speed from 900 up to 2700 pieces per hour.

FEATURES

<i>Model</i>	<i>Diameter of the piston</i>	<i>Dough ball's minimum weight(*)</i>	<i>Dough ball's maximum weight(*)</i>
SOFTY 90	90 cm	50 gr	500 gr
SOFTY 110	110 cm	80 gr	800 gr
SOFTY 125	125 cm	100 gr	1100 gr
SOFTY 140	140 cm	200 gr	1350 gr
SOFTY 150	150 cm	250 gr	1600 gr

2 possible type of Hopper:

- plastic Opened hopper with ring of safety allowing to feed continuously the hopper without stopping the divider, the capacity 160 kg of dough.

- Closed hopper with pressure of air, hopper in stainless steel of a capacity of 160 kilos of dough, lock & fast opening. Option recommended to improve the regularity of the weights in particular with dough having of the clocking in) before the division (compressor of air is not supplied)

Machine on castors :

It enables to move quickly and easily the machine with a little effort.

Oil filtering system.

Automatic closed-circuit lubrication of the mechanisms with a recycling process after filtering. As a consequence : low oil consumption.

Very low profile machine :

Easy loading in the hopper and it avoids purchasing an elevator tank.



2 types of discharge belt

- Rolling Dough Piece device:

Pre Rolling System of the dough pieces installed on discharge belt before entrance in intermediate proofer

- MF2S ® system (Stress-Freer making up) Solution to substitute to the rounder and which offer the best conditions for the stretching and respect soft dough (only with model MERAND-MECAFORM) particularly adapted for soft, pointed dough and breads of tradi-

Stainless rilsan hopper holding 160 kgs (352 lb) of dough with lid.

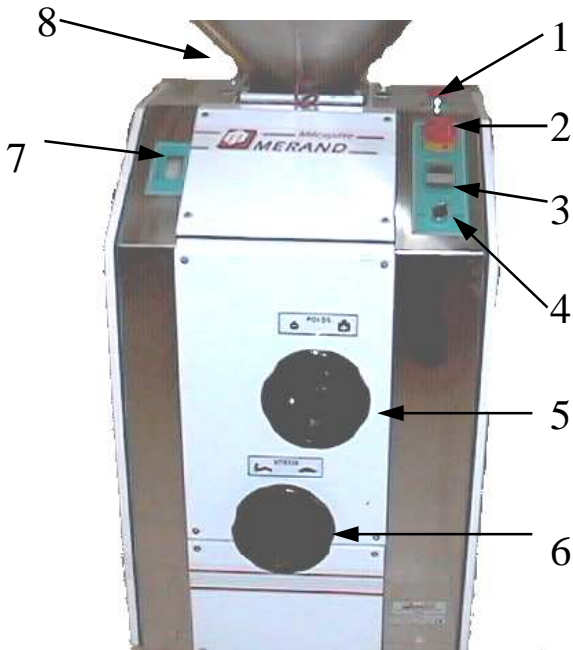
Mechanical and disengageable flour device

Prevents the dough balls from sticking together before loading them into the intermediate proofer.

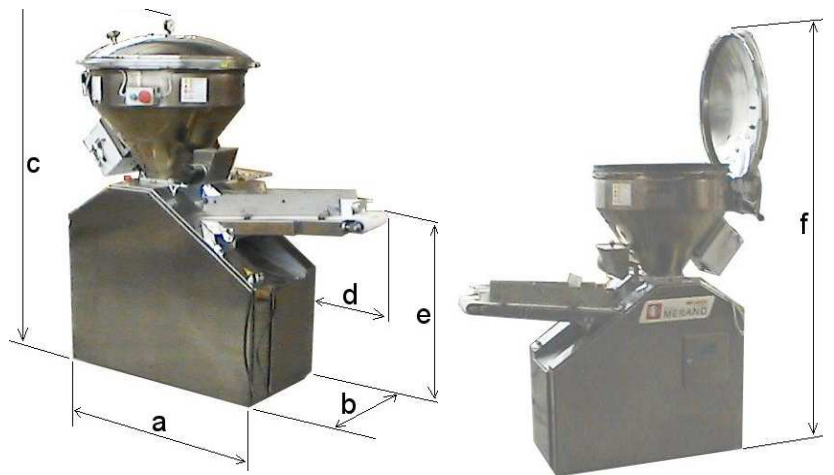
Digital doughball counter.

The machine stops automatically when it reaches the pre-selected piece count.

PRESENTATION



OVERALL DIMENSIONS



- 1—Emergency stop button.
- 2—On/Off Switch.
- 3—Digital dough ball counter.
- 4—Flour device disengagement .
- 5—Weight hand wheel adjuster .
- 6—Speed hand wheel adjuster.
- 7—Selected weight display panel.
- 8—Hopper.

Dimensions cm	a	b	c	d	e	f	g
Closed Hopper	125	64	188	57	80-113	244	168
Opened hopper	125	64	0	57	80-113	0	161

WEIGHT AND PACKAGING DIMENSIONS

Net weight: 550kg

Packaging on slatted outer carton pallet two way:

Gross weight: 600 kg

Dimensions (Length X Width X Height):

1,00m X 2,00m X 1,50m (3,28 f X 6.56f X 4.92f.)

Packaging on slatted wood box pallet two way():*

Gross weight: 650 kg

Dimensions (Length X Width X Height):

1,00m X 0,70m X 1,25m (3.28 f X 2.29 f X 4.10 f)

ELECTRIC SPECIFICATIONS

- 380 Volts / 50 Hz / 2,25 Kw / 7,0 A
- 380 Volts / 60 Hz / 2,25 Kw / 7,0 A
- 220 Volts / 50 Hz / 2,25 Kw / 7,0 A
- 220 Volts / 60 Hz / 2,25 Kw / 7,0 A

Power supply: cable of 3 m(9.84 f.) with plug SORTING + T + N

HYGIENE — SECURITY

The SOFTY volumetric automatic divider is in accordance:

- with 89/392 EEC, the directive on hatches.



Distributed by :