

COMTEC MODEL 1100 PIE AND PASTRY CRUST PRESS

BOTTOM CRUST, TOP CRUST, TART, MULTI-HORS D'OEUVRES CRUSTS, PIZZA, GRAHAM AND SPECIALTY CRUMB CRUSTS

A versatile, multi-use, crust forming Press.

Effortless production of bottom or top crust, from 1-1/2" to 12" diameter; multi-crusts for tart or hors d'oeuvres.

Makes consistent crust in a pan, exactly to size. No dusting flour is used, no special skill or strength required, no special formula, **AND NO SCRAP DOUGH TO RECOVER.**

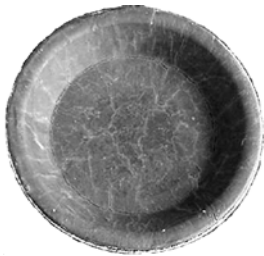
Forming dies are available for domestic and imported foil and reusable pans of any manufacture, and are interchangeable on the Press. The solid aluminum dies are water immersible for cleaning. The die heating system is part of the Press, not the die.

Safe, two-hand control, trouble-free operation. No electrical or mechanical gadgetry.

One operator production rate up to 700 crusts per hour, with proper work arrangement.



Available Rim Styles



Plain



Gear



Spider



Daisy Petal



Rimless

Perfect crust for pie, tart, cheesecake, Quiche Lorraine, hors d'oeuvres, entree', pot pie and many more specialty items are at your fingertips with the Comtec Press. Graham, cookie and specialty crumb crusts that cannot be rolled or sheeted are easily formed. The simple design, rugged construction and easy operation of the Press assures you of day-to-day profitable, trouble-free production.

The finished crust is superior to one that has been rolled. Rolled crusts have stresses and grains from too much handling. Crusts formed on a Comtec Press are flaky and tender. Anyone can learn to operate the Press in a few minutes.

The simple operating procedure requires little effort and minimizes operator fatigue.

Forming dies are custom made of solid aluminum for the pan selected. Special dies can be manufactured to fit pans used for specialty items.

4 SECONDS FROM PAN WITH DOUGH TO FINISHED CRUST



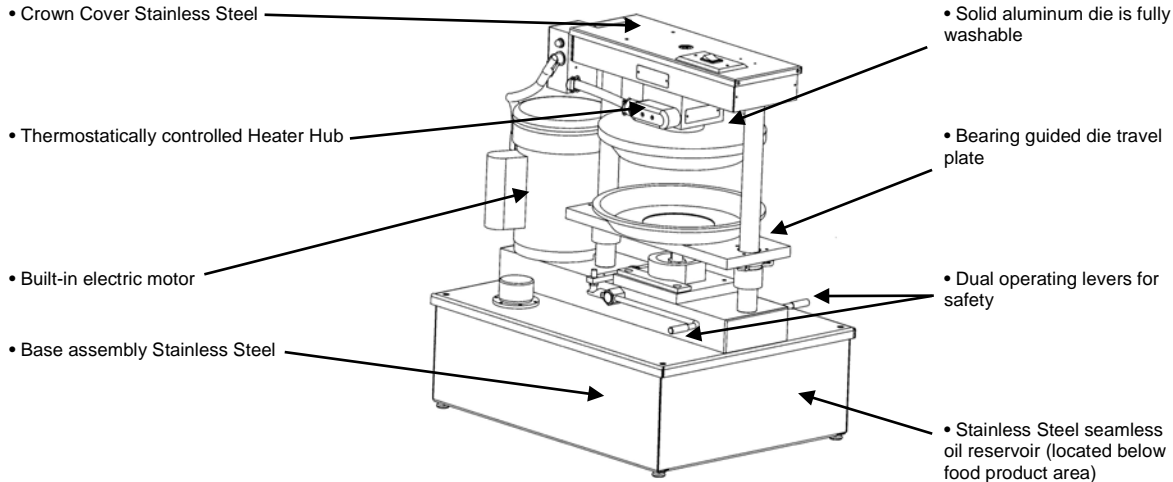
Place pan with dough portion in the press.



Press the two levers.



Remove finished crust from press.



Optional Equipment: Stainless Steel mobile stand to make the Press fully portable at working height.

SPECIFICATIONS

OPERATING SPEED - up to 700 per hour.

LENGTH OVERALL - 24"

WIDTH - 18-3/8" • HEIGHT - 28"

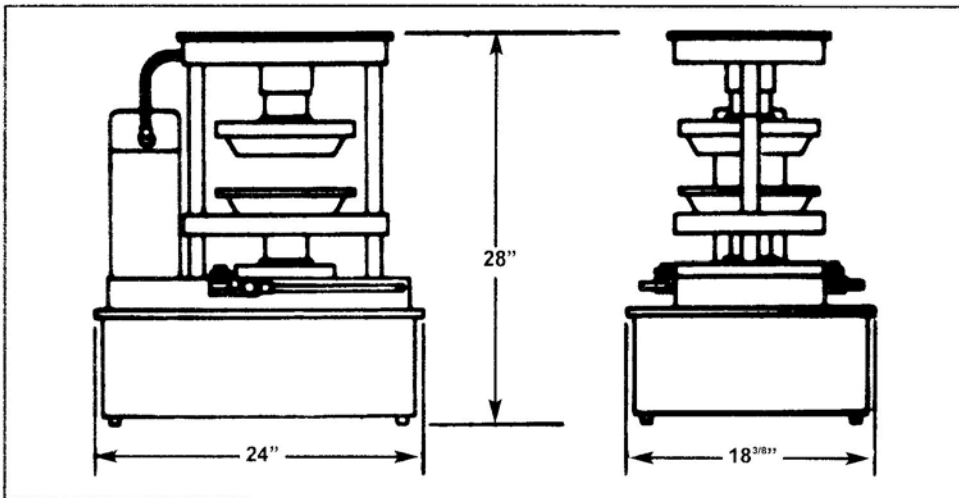
ELECTRICAL REQUIREMENTS - 110 volt, 60 cycle, 1 phase A.C.

OIL RESERVOIR CAPACITY - 5 gal., light mineral based hydraulic oil, 150 S.S.U., S.A.E. #32 (oil not Included)

SHIPPING WEIGHT - 180 LBS.

No dies Included. Dies quoted separately from sample pan.

Made in the U.S.A.



© Copyright Comtec Industries Ltd.

COMTEC

COMTEC INDUSTRIES, LTD. • 10210 WERCH DRIVE #204

WOODRIDGE, ILLINOIS 60517

PHONE:(630)759-9000 • FAX:(630)759-9009

E-MAIL:sales@comtecindustriesltd.com • www.comtecindustriesltd.com